


PRODUCT SHEET

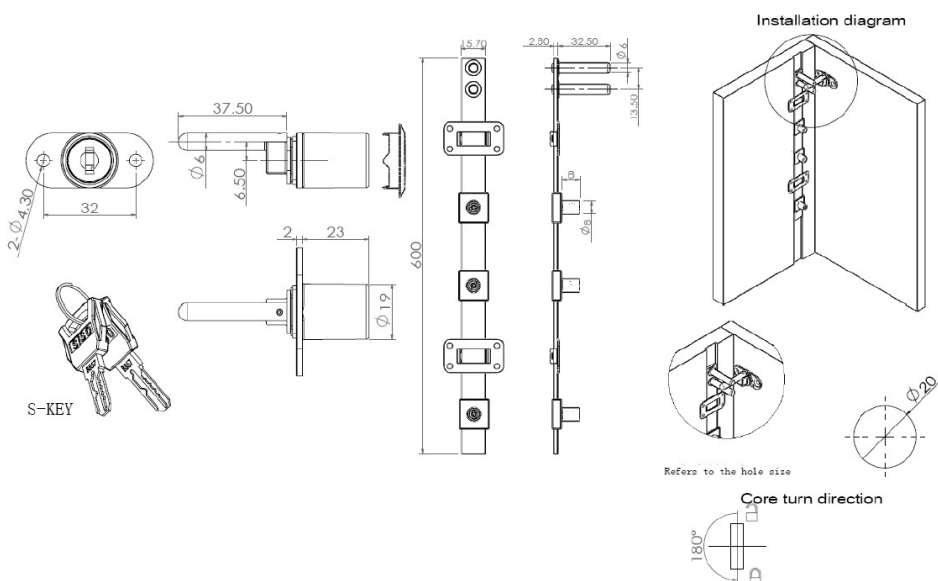
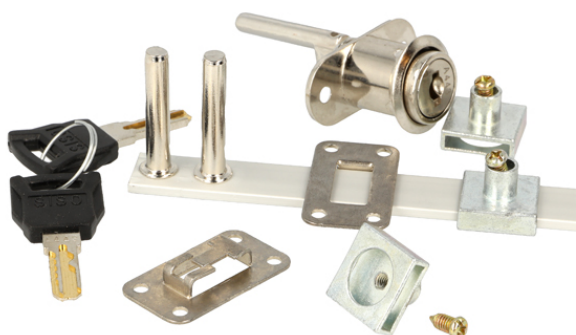
Description:

Cent. Lock MIC1018S/600mm,NPL,ø19x23mm,40mm T,Snake CK SISO, System #01, Complete With 1x600mm Locking Bar, 2xMetal Bar, Guides & 3x8mm Pegs

Item number:

14.03.127-8

Units	Box	Carton	HS Code	Barcode
Pcs.	24	120	8301300000	
				5704866463164



SISO A/S

Mileparken 11
DK-2740 Skovlunde
Denmark
VAT: DK 24786013

Phone +45 45 830 900

www.siso.dk
siso@siso.dk

Danske Bank
Nytorv Branch
Copenhagen
SWIFT: DABADKKK

Account no.
4180 3112 112936
IBAN Account
DK7230003112112936